

315/433MHz RF

JZET15

: V1. 3
: 2019-8



1.

JZET15

RKE

OOK/ASK

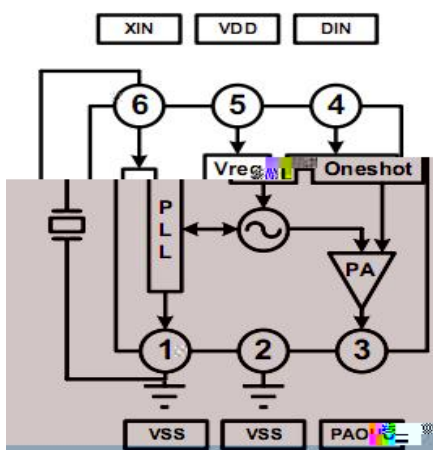
2.

- 200 450MHz(PLL)
- OOK/ASK(60 dB)
- 9. 84375MHz@315MHz 13. 56MHz@433. 92MHz
- 13dBm @3V
- 2 1-3. 6V **JZET15H** 2 1 5V
- 15mA (50% @3V)
- ASK 50ns 1uA
-
-
-
- SOT23-6
- -40 ~+85

3.

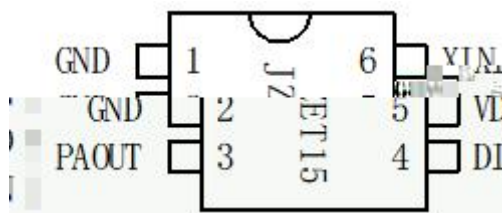
-
-

4.





5.

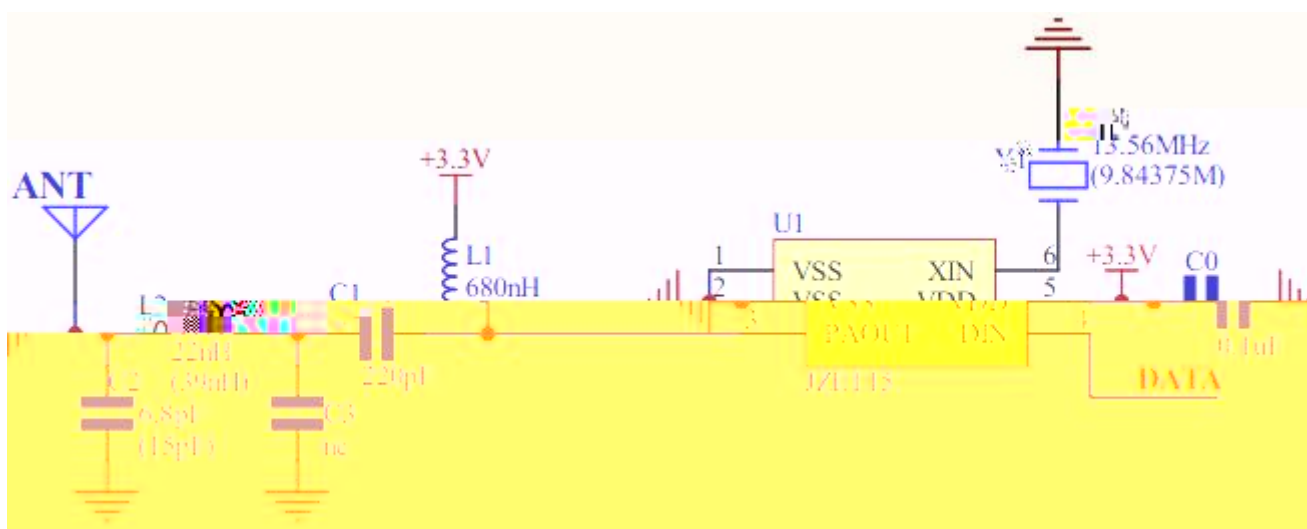


2 JZET15

1 JZET15

		I / O	
1	2	VSS	G
3		PAOUT	O
4		DI N	I
5		VDD	P
6		XI N	I

6.



2

	315MHz	433.92MHz	
Y1	9.84375	13.56	MHz
C0	0.1		uF
C1	220		pF
C2	15	6.8	pF
L1	680		nH
L2	39	22	nH

1. 315M
2. L2/C2/C3 PCB
3. 20pF, ± 20ppm



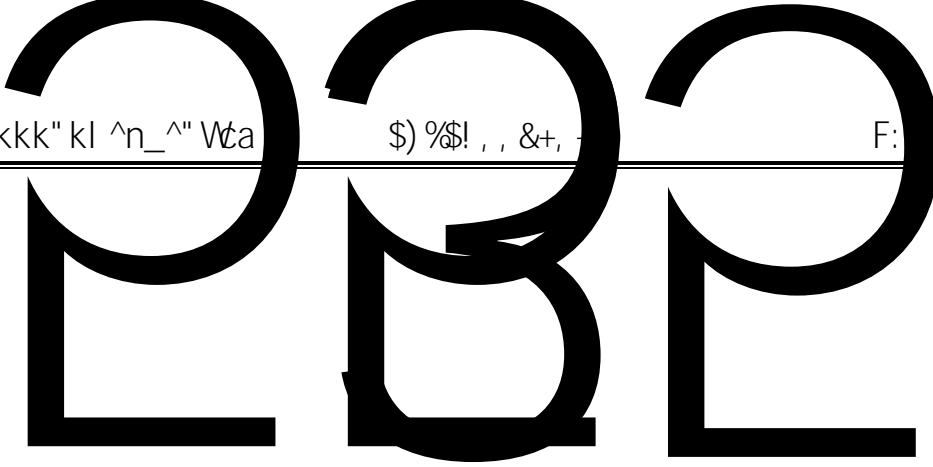
kkk"kl ^n_^"Wta

\$)%\$! , , &+, -

F:

>N9H%0

7.



8.

$V_{DD} = 3.0V$ $V_{SS} = 0V$ $T_A = +27^{\circ}C$

9.

JZET15 433MHz

315MHz 433MHz

ASK

PLL



9.1

PLL

PLL

JZET15

PLL

433M

315M

32

1mA

9.2

32

$f_{TX} = 32f_{REFOSC}$

20

800mVpp

1500mVpp

9.3

JZET15

9.4

JZET15

DI N=1

PLL

PA

DI N=0

PA

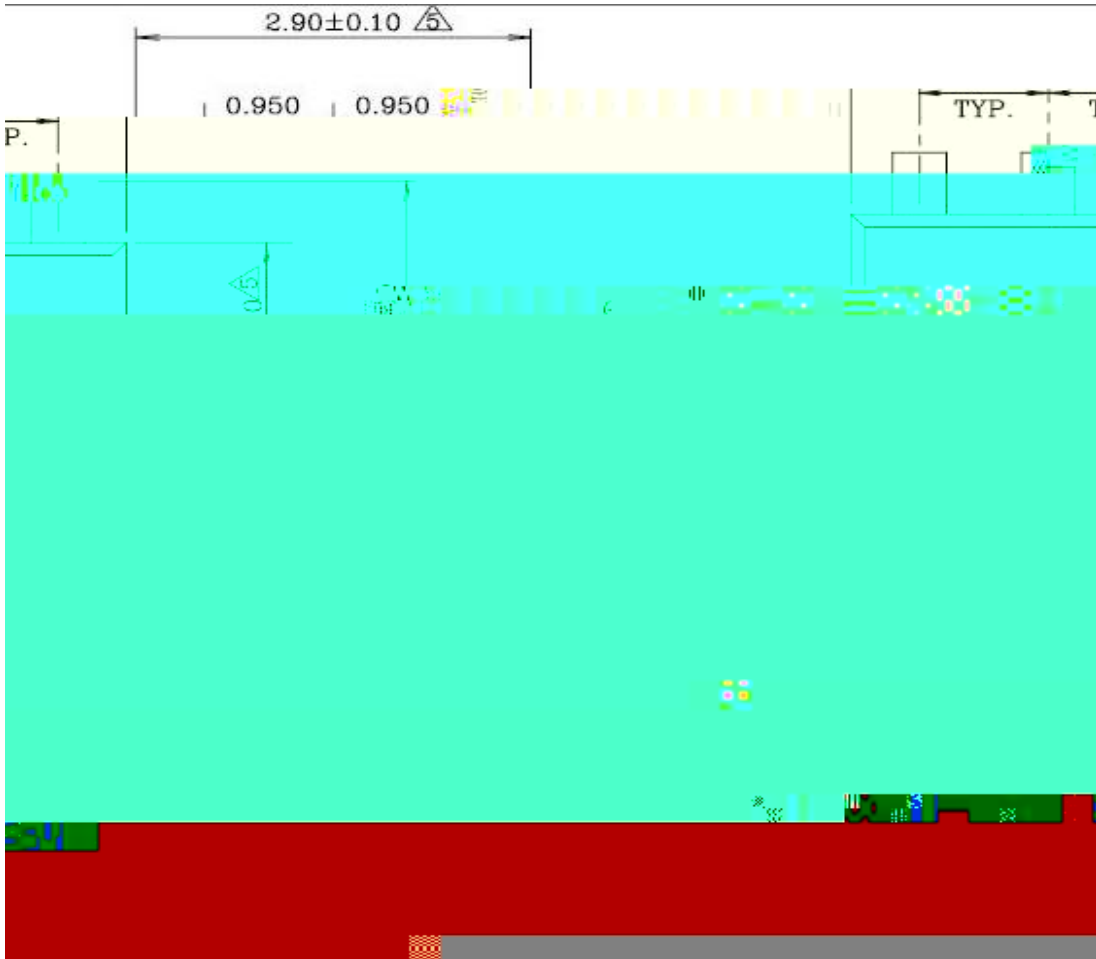
PLL

50ns



9.

6 SOT23-6



1
2

1
2
3

30 90% 12