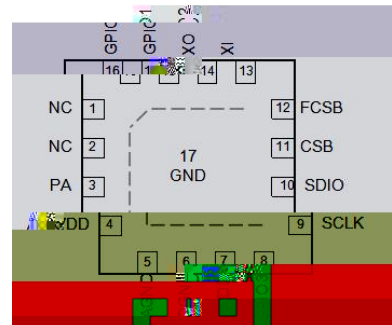




JZCT07-EQR	433.92 MHz	QFN16	3,000 pcs
------------	------------	-------	-----------





www.wxjzkj.com

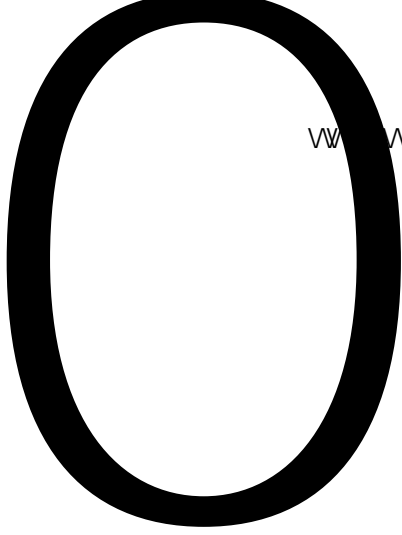
+20 dBm  
0510-88278755

Sub-1GHz

JZCT07

---

---



www.wxjzky.com

0

+20 dBm

Sub-1GHz

+20 dBm

Sub-1GHz

www.wxjzkj.com

0510-88278755

JZCT07

---

---



	P <sub>OUT</sub>			-20	+20	dBm	
	P <sub>STEP</sub>			1		dB	
GFSK	BT			0.3	0.5	1.0	
	P <sub>OUT-TOP</sub>	-40	+85 C		1	dB	
		P <sub>OUT</sub> = +13 dBm, 433MHz F <sub>RF</sub> <1 GHz				-42	dBm
		1 GHz	12.75 GHz			-36	dBm
F <sub>RF</sub> = 433 MHz	H2 <sub>433</sub>	2	+20 dBm P <sub>OUT</sub>		-46		dBm
	H3 <sub>433</sub>	3	+20 dBm P <sub>OUT</sub>		-50		dBm
F <sub>RF</sub> = 868 MHz	H2 <sub>868</sub>	2	+20 dBm P <sub>OUT</sub>		-43		dBm
	H3 <sub>868</sub>	3	+20 dBm P <sub>OUT</sub>		-52		dBm
F <sub>RF</sub> = 915 MHz	H2 <sub>915</sub>	2	+20 dBm P <sub>OUT</sub>		-48		dBm
	H3 <sub>915</sub>	3	+20 dBm P <sub>OUT</sub>		-53		dBm
F <sub>RF</sub> = 433 MHz	H2 <sub>433</sub>	2	+13 dBm P <sub>OUT</sub>		-52		dBm
	H3 <sub>433</sub>	3	+13 dBm P <sub>OUT</sub>		-52		dBm
F <sub>RF</sub> = 868 MHz	H2 <sub>868</sub>	2	+13 dBm P <sub>OUT</sub>		-52		dBm
	H3 <sub>868</sub>	3	+13 dBm P <sub>OUT</sub>		-52		dBm
F <sub>RF</sub> = 915 MHz	H2 <sub>915</sub>	2	+13 dBm P <sub>OUT</sub>		-52		dBm
	H3 <sub>915</sub>	3	+13 dBm P <sub>OUT</sub>		-52		dBm

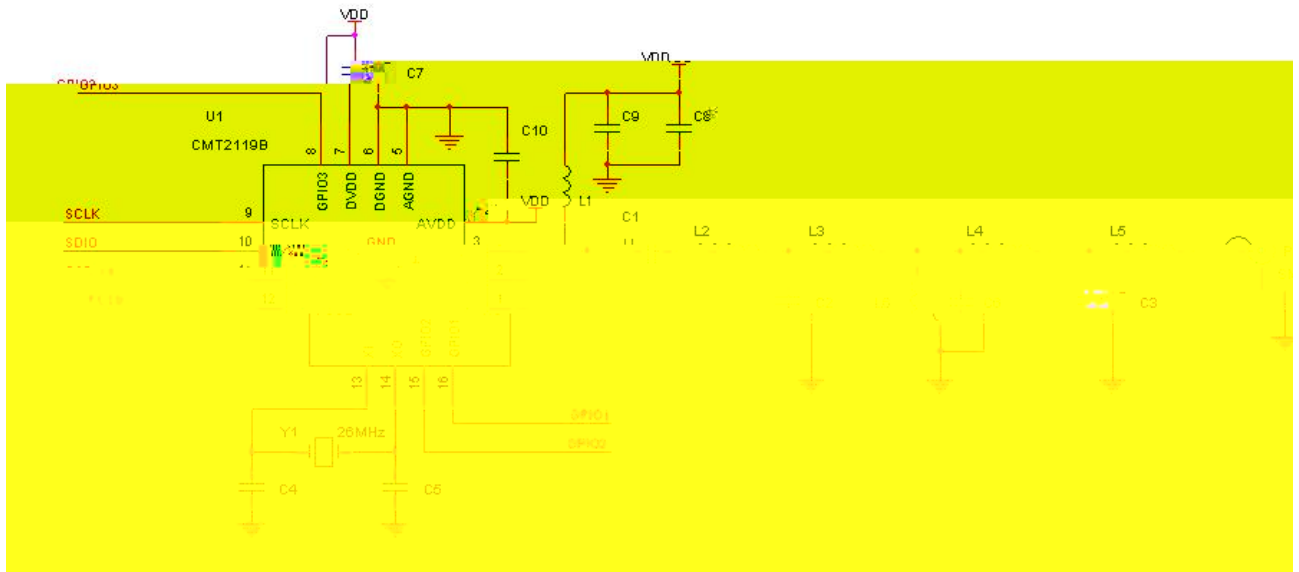
	F <sub>RF</sub>			760		1020	MHz
				380		510	MHz
				190		340	MHz
				127		170	MHz
	F <sub>RES</sub>				25		Hz
	t <sub>TUNE</sub>				150		us
@ 433 MHz	PN <sub>433</sub>	10 kHz			-94		dBc/Hz
		100 kHz			-99		dBc/Hz
		500 kHz			-118		dBc/Hz
		1 MHz			-127		dBc/Hz
		10 MHz			-134		dBc/Hz
@ 868 MHz	PN <sub>868</sub>	10 kHz			-92		dBc/Hz
		100 kHz			95		dBc/Hz
		500 kHz			-114		dBc/Hz
		1 MHz			-121		dBc/Hz
		10 MHz			-130		dBc/Hz
@ 915 MHz	PN <sub>915</sub>	10 kHz			-89		dBc/Hz
		100 kHz			-92		dBc/Hz
		500 kHz			-111		dBc/Hz
		1 MHz			-121		dBc/Hz
		10 MHz			-130		dBc/Hz



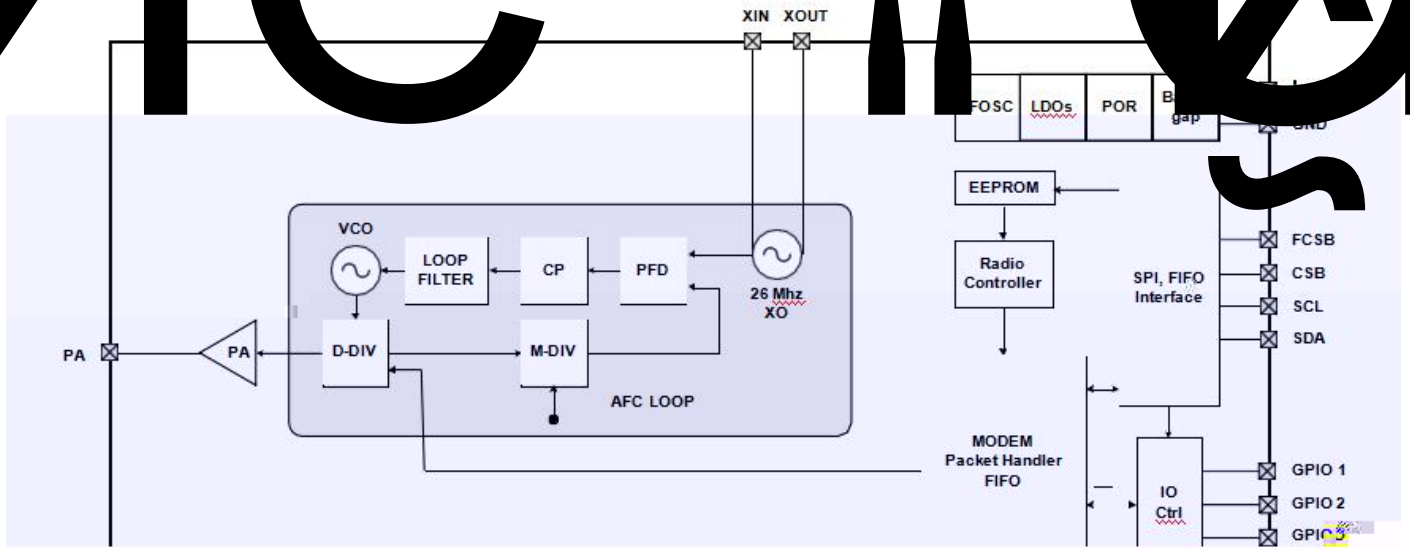
	T <sub>SLP-TX</sub>	Sleep TX		1000		us
	T <sub>STB-TX</sub>	Standby TX		300		us
	T <sub>TFS-TX</sub>	TFS TX		10		us



1	NC	-	
2	NC	-	
3	PA	O	PA
4	AVDD	IO	VDD
5	AGND	IO	GND
6	DGND	IO	GND
7	DVDD	IO	VDD
8 <sup>(1)</sup>			

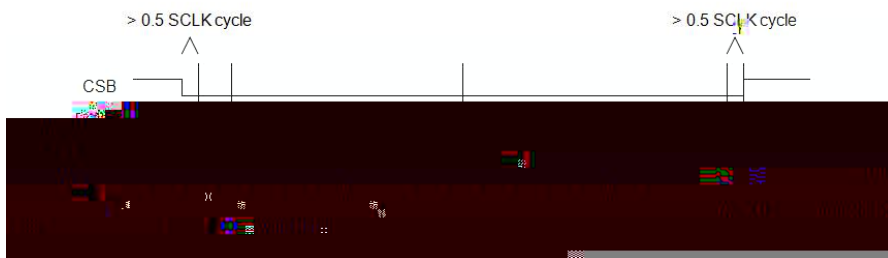
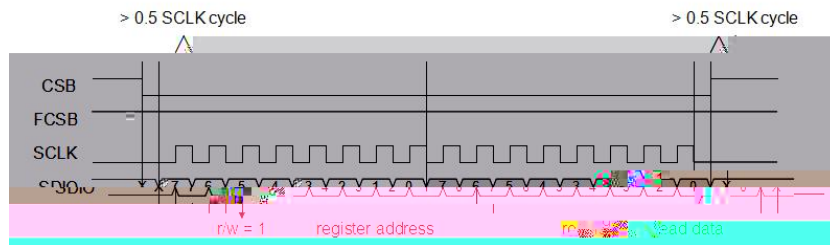


C1	±5%, 0603 NPO, 50 V	15	18	18	pF	-
C2	±5%, 0603 NPO, 50 V	3	3.6	3.6	pF	-
C3	±5%, 0603 NPO, 50 V	6.2	3.3	3.3	pF	-
C4	±5%, 0603 NPO, 50 V	27	27	27	pF	-
C5	±5%, 0603 NPO, 50 V	27	27	27	pF	-
C6	±5%, 0603 NPO, 50 V	4.7	2	1.8	pF	-
C7	±5%, 0603 NPO, 50 V	0.1			uF	-
C8	±5%, 0603 NPO, 50 V	4.7			uF	-
C9	±5%, 0603 NPO, 50 V	470			pF	-
C10	±5%, 0603 NPO, 50 V	0.1			uF	-
L1	±5%, 0603	180	100	100	nH	Sunlord SDCL
L2	±5%, 0603	22	12	12	nH	Sunlord SDCL
L3	±5%, 0603	15	15	15	nH	Sunlord SDCL
L4	±5%, 0603	33	6.2	6.2	nH	Sunlord SDCL
L5	±5%, 0603	33	6.2	6.2	nH	Sunlord SDCL
L6	±5%, 0603	27	15	15	nH	Sunlord SDCL
Y1	±10 ppm, SMD32*25 mm	26			MHz	EPSON





基础频率 + 2.5 kHz × FH\_OFF



+20 dBm

Sub-1GHz

www.wxjzkj.com

0510-88278755

JZCT07

---

---

+20 dBm

Sub-1GHz

www.wxjzkj.com

0510-88278755

JZCT07

---

---



[www.wxjzkj.com](http://www.wxjzkj.com)

+20 dBm

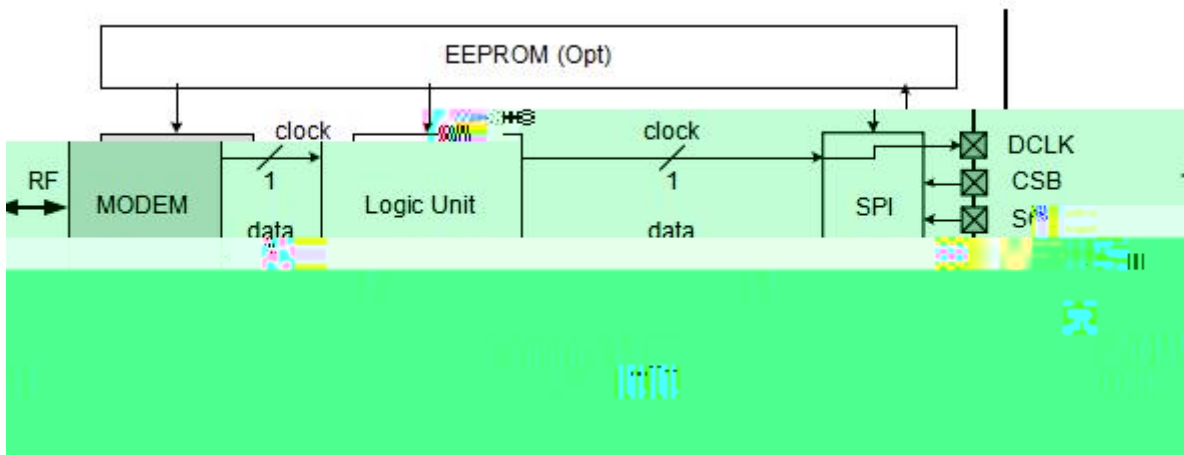
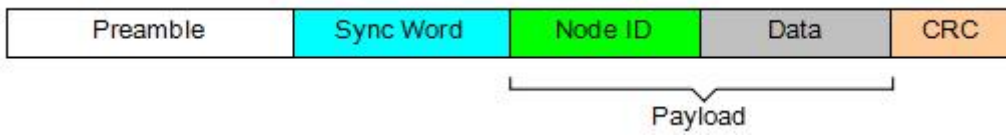
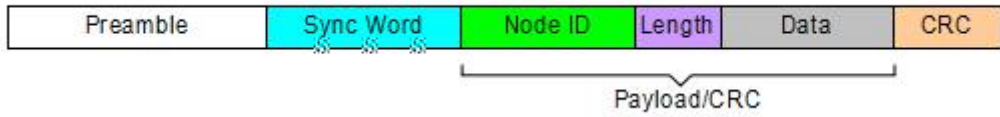
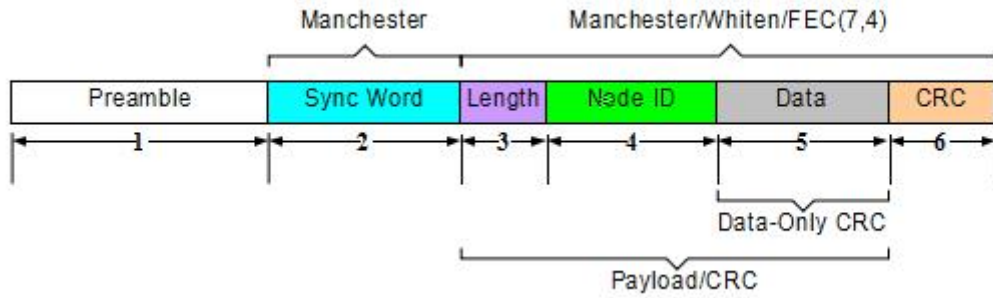
Sub-1GHz

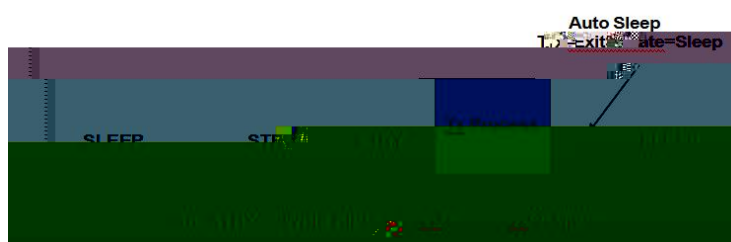
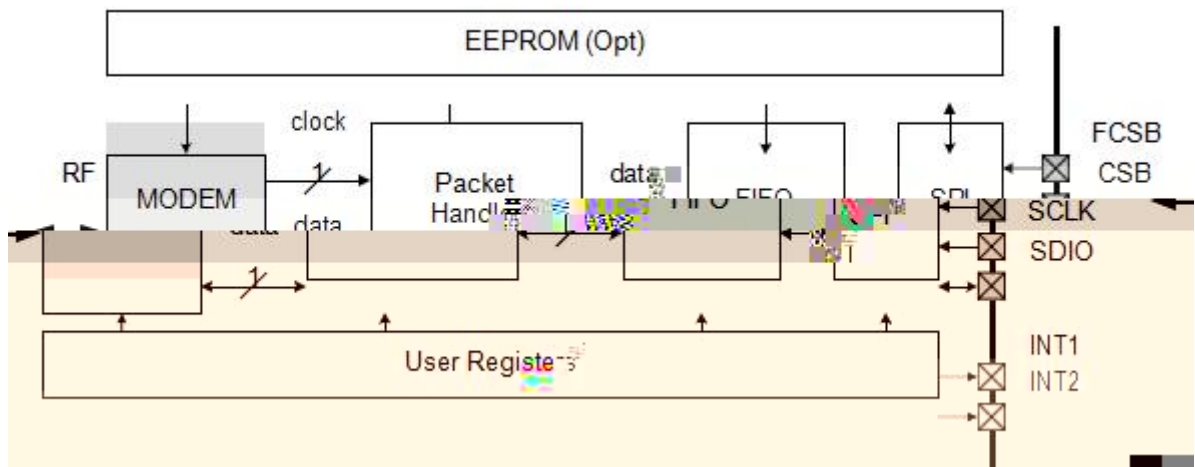
0510-88278755

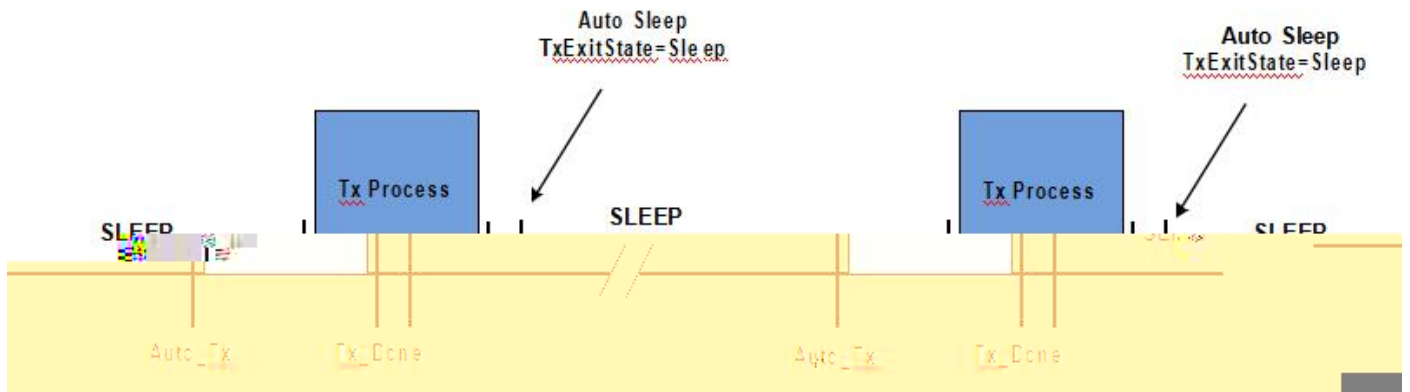
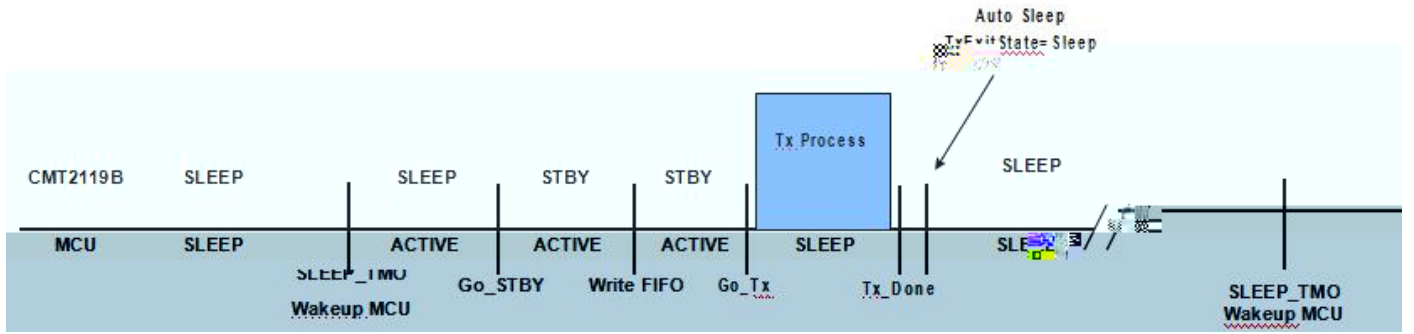
JZCT07

---

---









Addr	R/W	Name	Bit 7	Bit 6	Bit 5	Bit 4	Bit 3	Bit 2	Bit 1	Bit 0
0x0C	RW	CUS_SYS1						RESV		
0x0E	RW	CUS_SYS2	LFOSC_BFCAL							
0x13	RW	CUS_SYS7						RESV		
0x14	RW	CUS_SYS8						RESV		
0x15	RW	CUS_SYS9						RESV		
0x16	RW	CUS_SYS10						RESV		
0x17	RW	CUS_SYS12				RESV	CLKOUT_EN			CLKOUT_DIV [4:0]

0x18	RW									
0x19	RW									
0x1A	RW									
0x1B	RW									
0x1C	RW									
0x1D	RW									
0x1E	RW									
0x1F	RW									

RFPDK

0x20	RW									
0x21	RW									
0x22	RW									
0x23	RW									
0x24	RW									
0x25	RW									
0x26	RW									
0x27	RW									
0x28	RW									
0x29	RW									
0x2A	RW									
0x2B	RW									
0x2C	RW									
0x2D	RW									
0x2E	RW									
0x2F	RW									
0x30	RW									
0x31	RW									
0x32	RW									
0x33	RW									
0x34	RW									
0x35	RW									
0x36	RW									
0x37	RW									

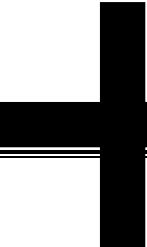
RFPDK

0x55	RW									
0x56	RW									
0x57	RW									
0x58	RW									
0x59	RW									
0x5A	RW									
0x5B	RW									
0x5C	RW									
0x5D	RW									
0x5E	RW									
0x5F	RW									

RFPDK



www.vxj.z



0510-88278755

+20 dBm

Sub-1GHz

JZCT07



JZCT07-EQR

JZCT07,  
Sub-1GHz

+20 dBm

QFN16(3x3)

